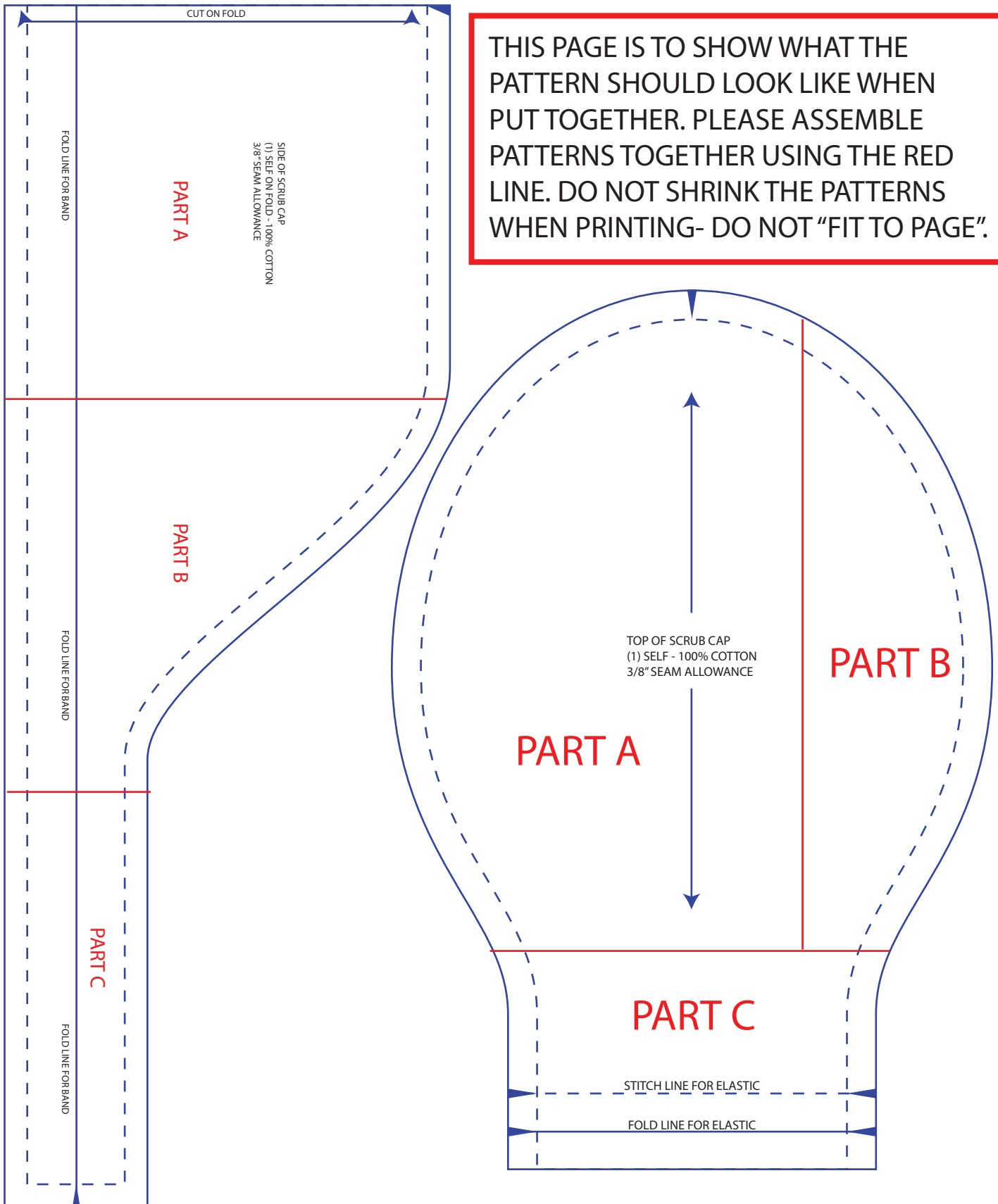


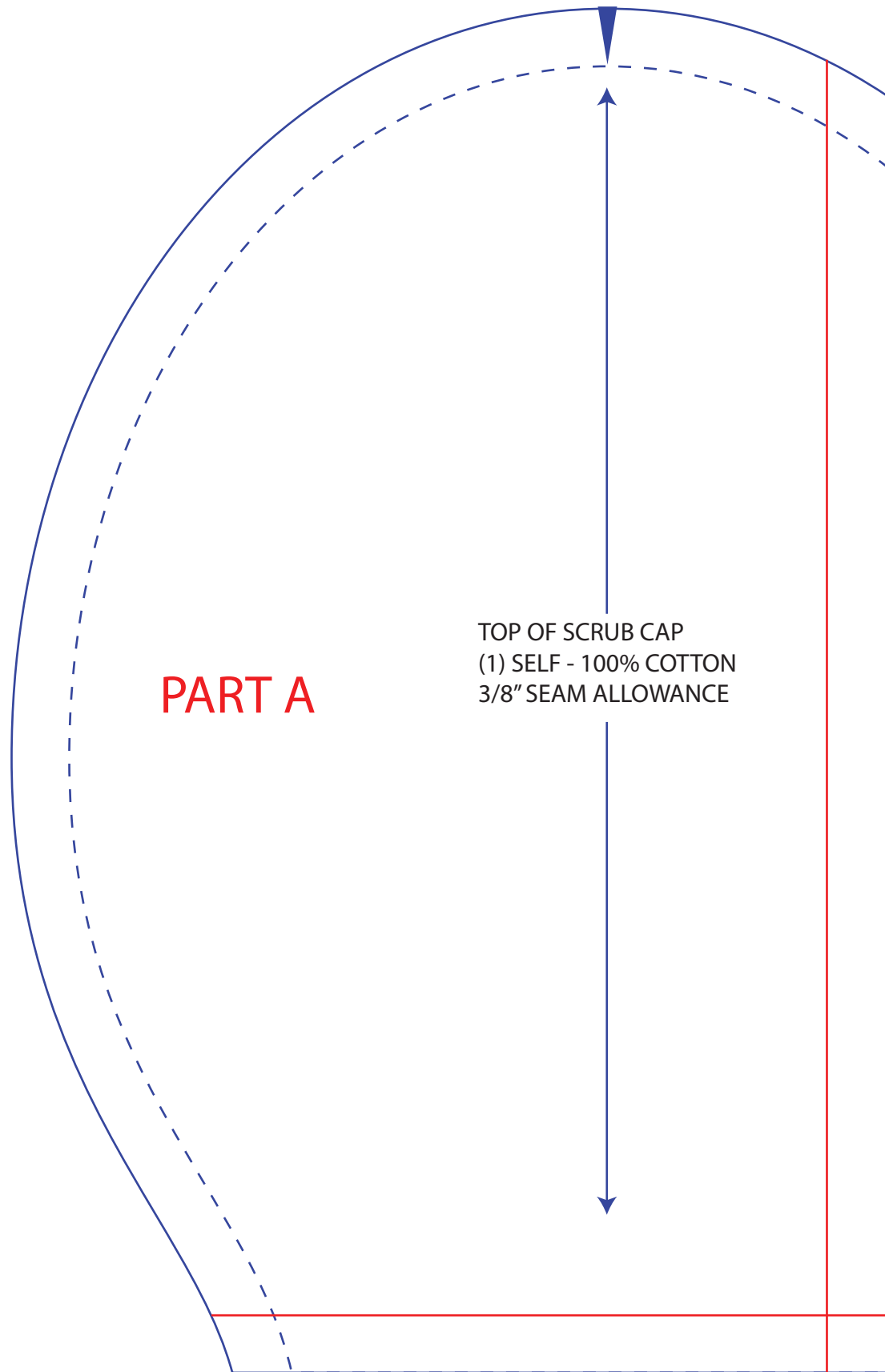
SCRUB CAP PATTERNS

- NOT TO SCALE -

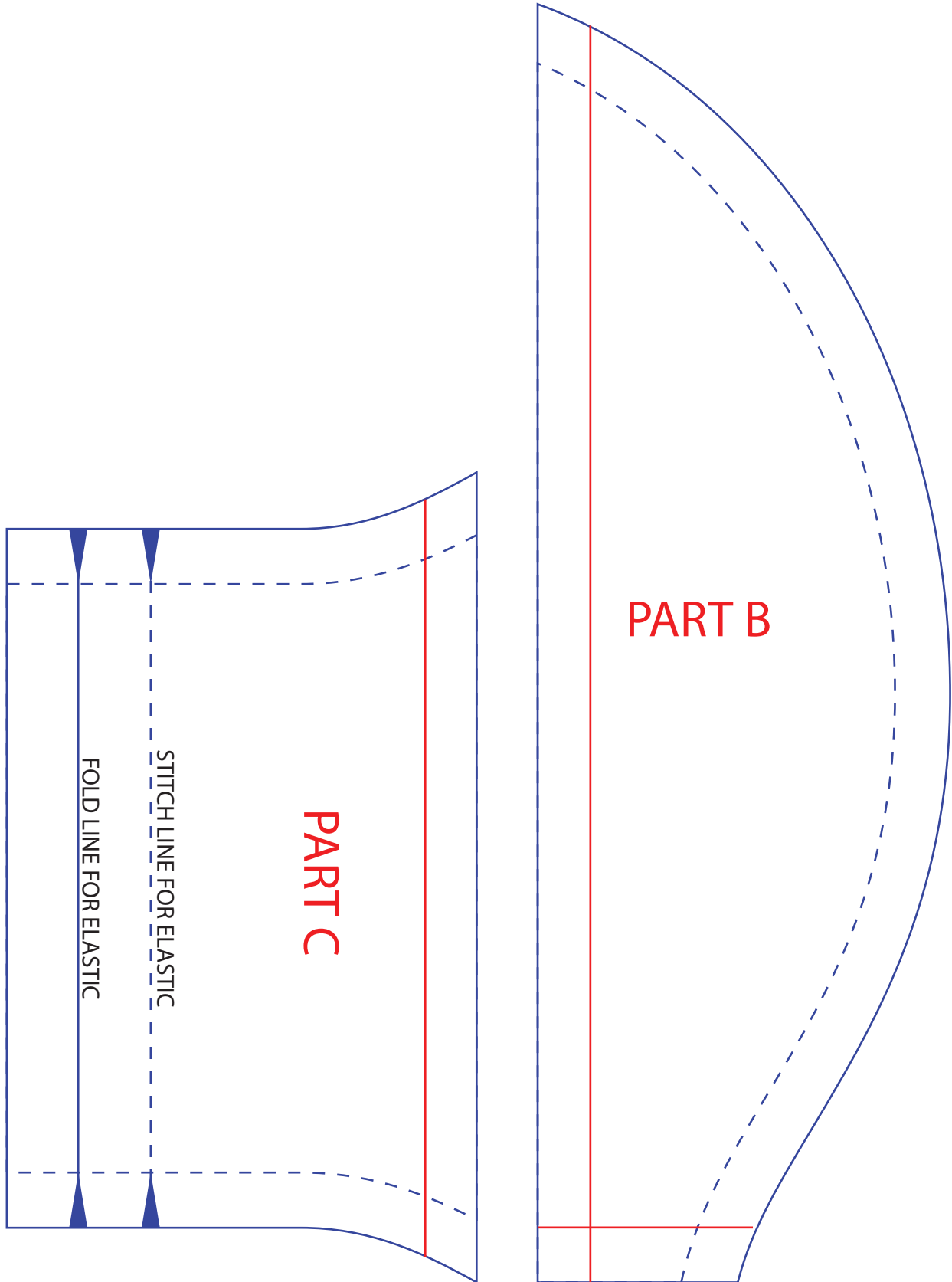
THIS PAGE IS TO SHOW WHAT THE PATTERN SHOULD LOOK LIKE WHEN PUT TOGETHER. PLEASE ASSEMBLE PATTERNS TOGETHER USING THE RED LINE. DO NOT SHRINK THE PATTERNS WHEN PRINTING- DO NOT "FIT TO PAGE".



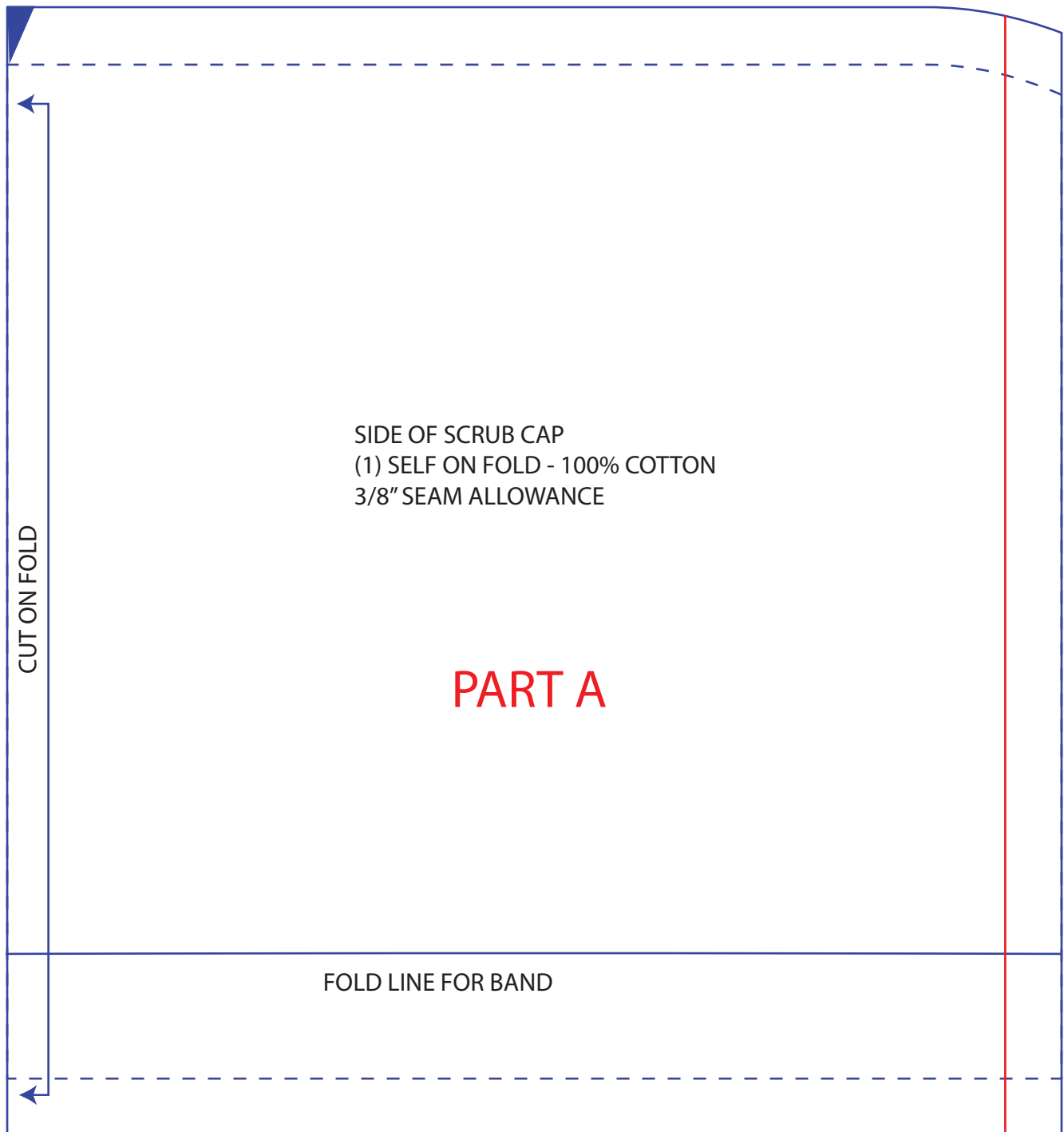
SCRUB CAP TOP - TO SCALE



SCRUB CAP TOP - TO SCALE



SCRUB CAP SIDE - TO SCALE



SCRUB CAP SIDE - TO SCALE

PART B

FOLD LINE FOR BAND

PART C

FOLD LINE FOR BAND

